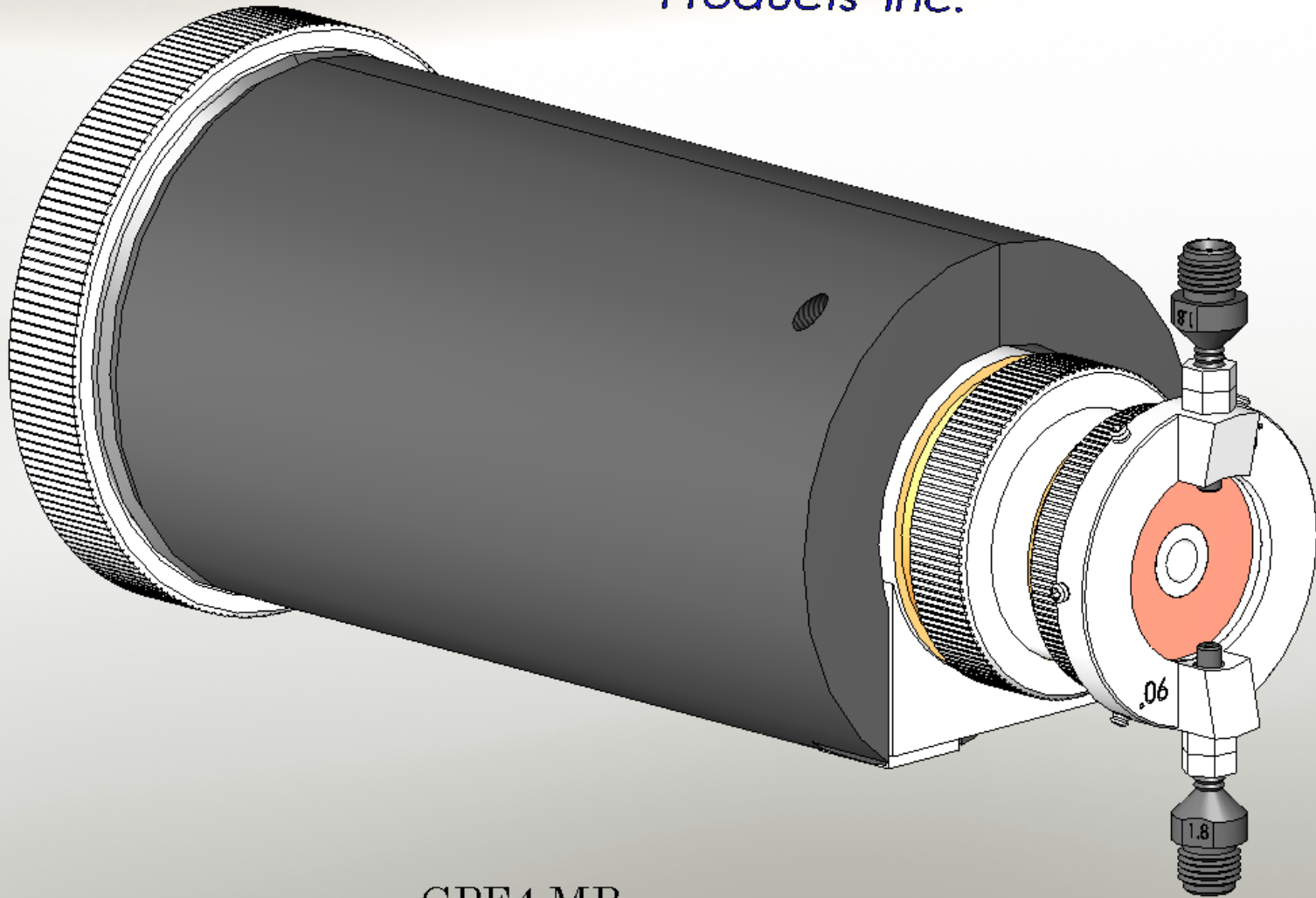


GENIE

Products Inc.



GPF4 MB