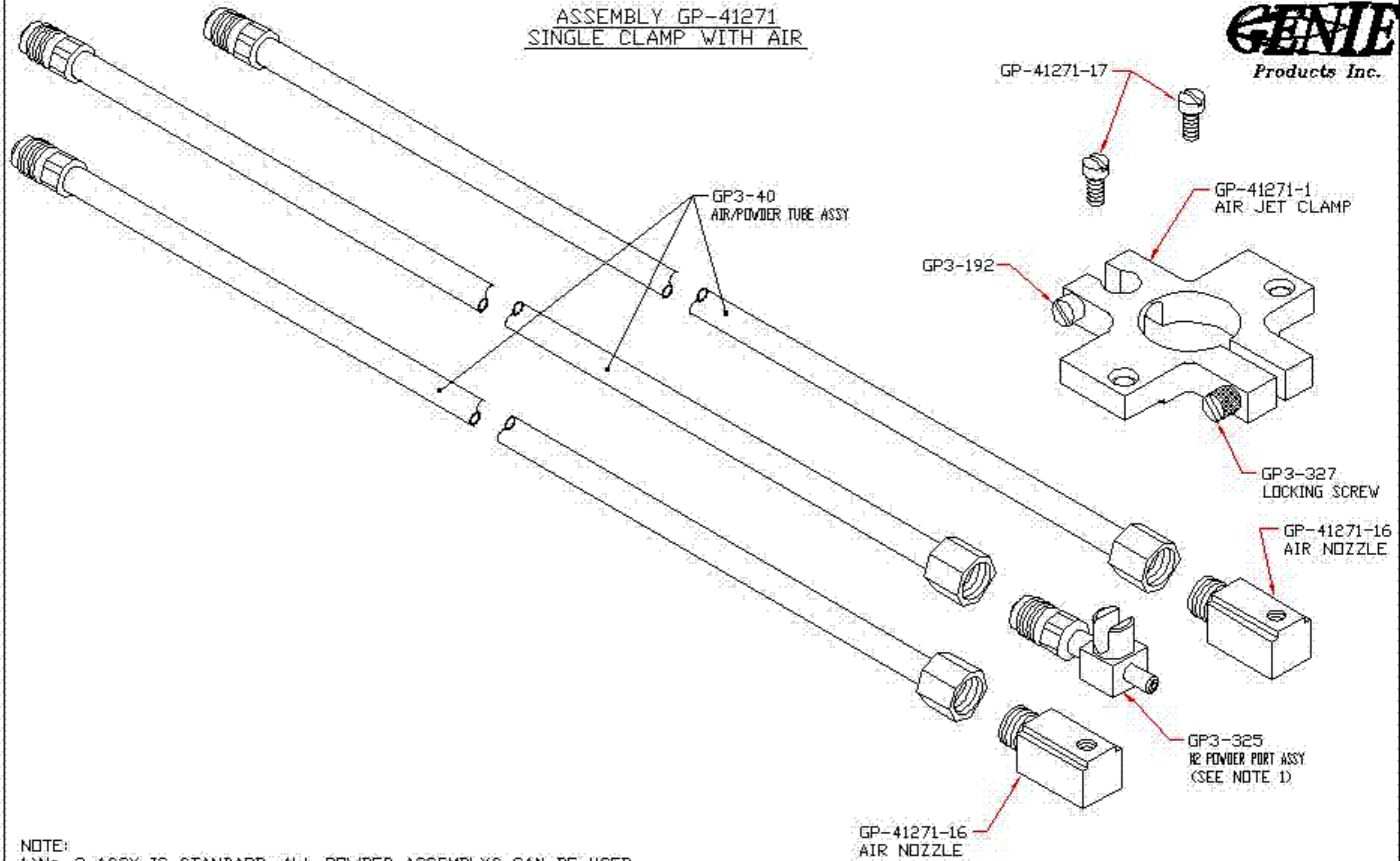


ASSEMBLY GP-41271
SINGLE CLAMP WITH AIR

GENIE
Products Inc.



NOTE:
1.) No. 2 ASSY IS STANDARD, ALL POWDER ASSEMBLYS CAN BE USED.

GP-41271-16
AIR NOZZLE

GP3-325
1/2 POWDER PORT ASSY
(SEE NOTE 1)

GP3-327
LOCKING SCREW

GP-41271-16
AIR NOZZLE

GP-41271-1
AIR JET CLAMP

GP3-192

GP3-40
AIR/POWDER TUBE ASSY

GP-41271-17